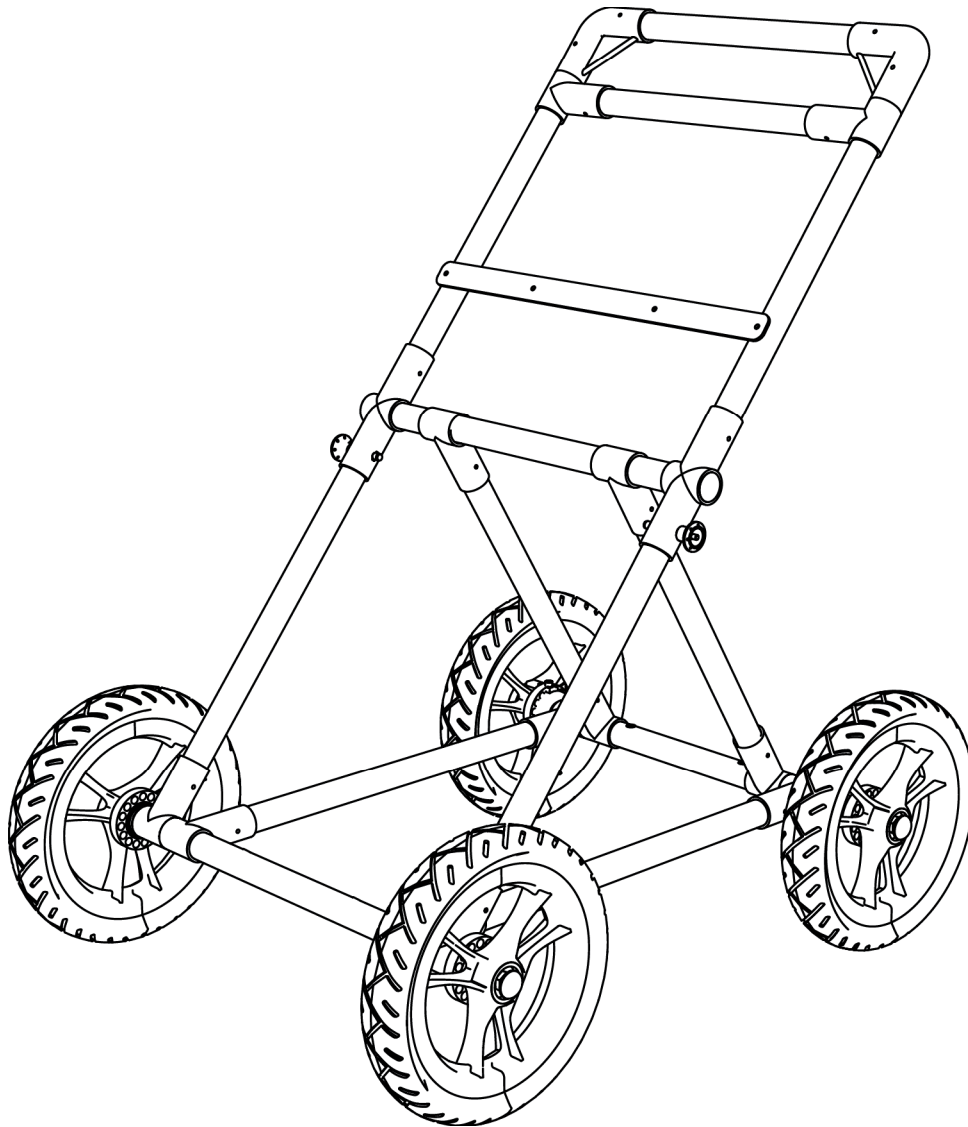


SVC-823

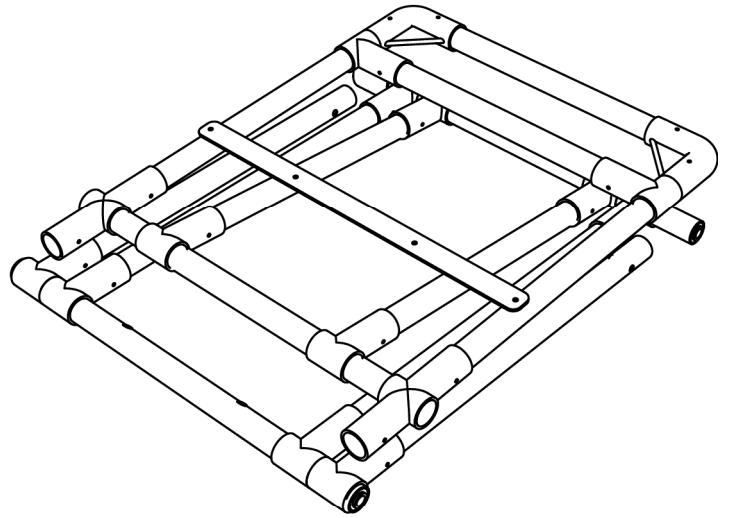
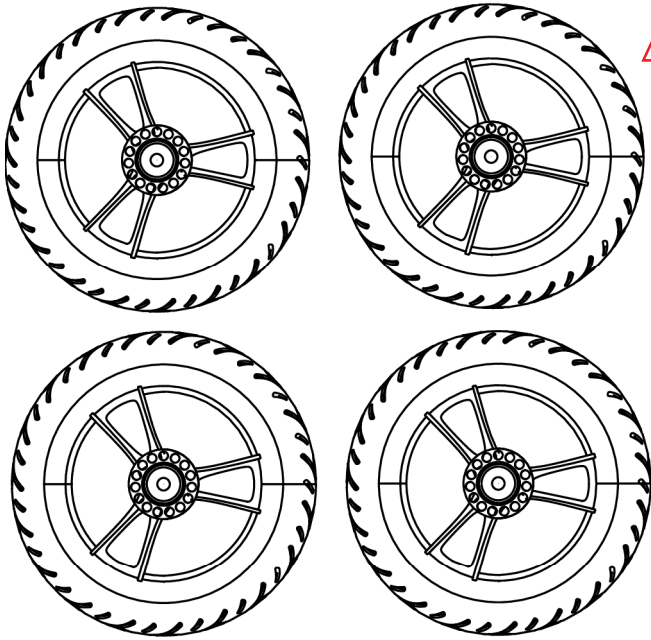
Assembly Instructions



GEOSCANNERS
geophysical survey solutions

REV: EN171026-01

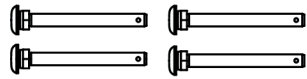
Solid Wheels X 4



Cart Assembly X 1



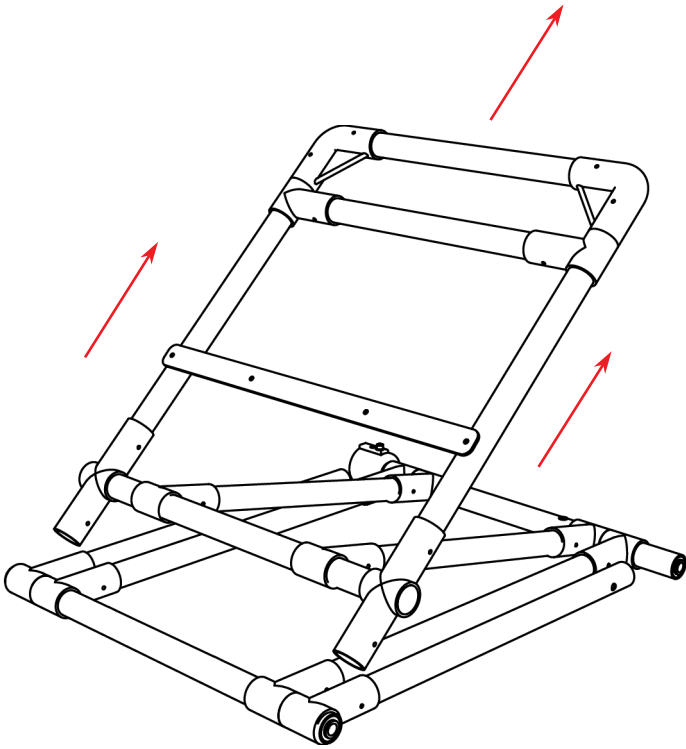
Snap Buttons X 2



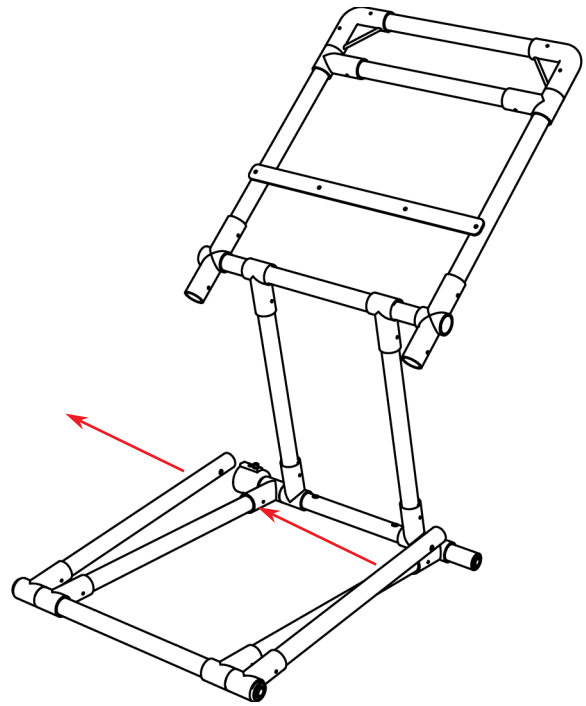
Snap Wheel Axis X 4



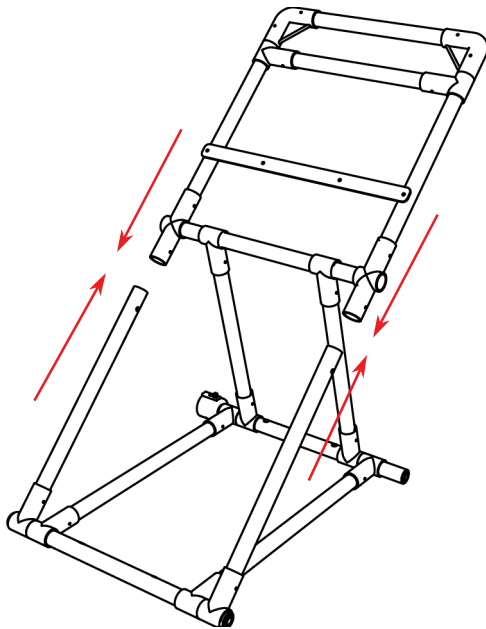
One of the wheels has a magnet ring on it!



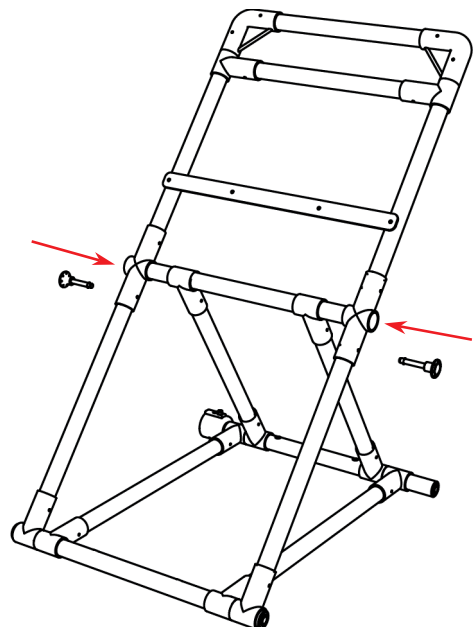
Step 1, Pull the handle back



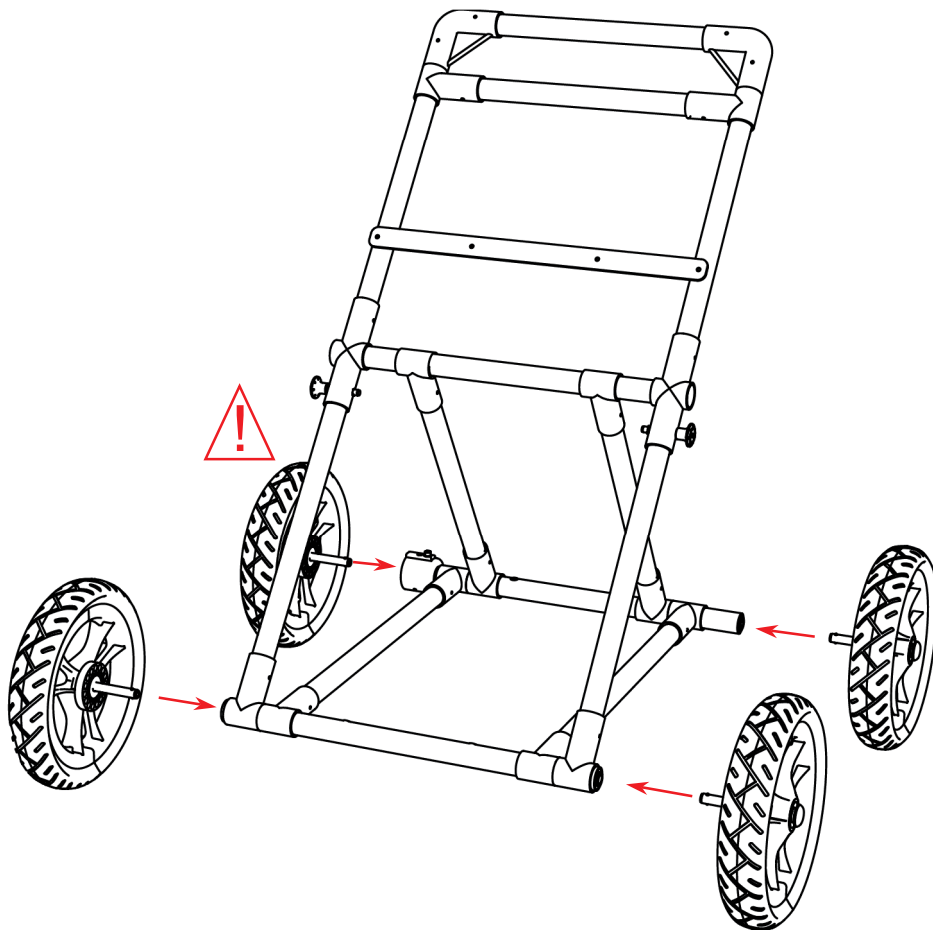
Step 2, Raise front bars



Step 3, Insert front bars into top assy



Step 4, Secure with snap buttons



Step 5, Insert the axis into the bushings



Make sure that the wheel with the magnet ring is mounted on the rear right corner. Also, make sure the magnet ring is facing inwards to the encoder on the axis of the cart.